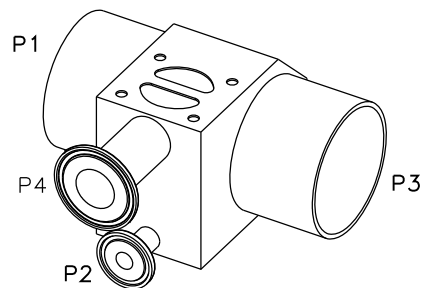
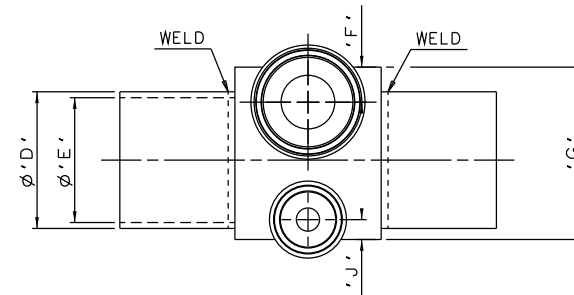
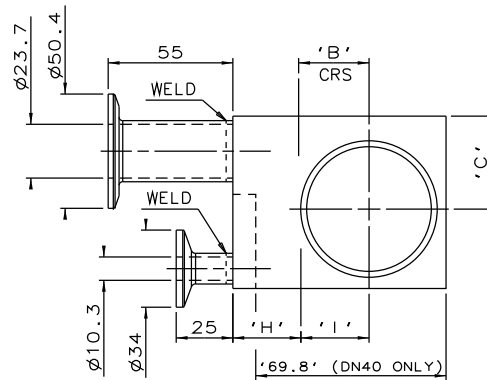
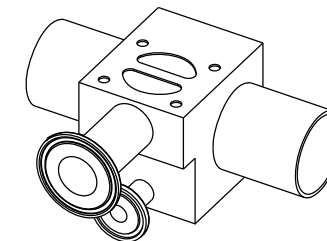
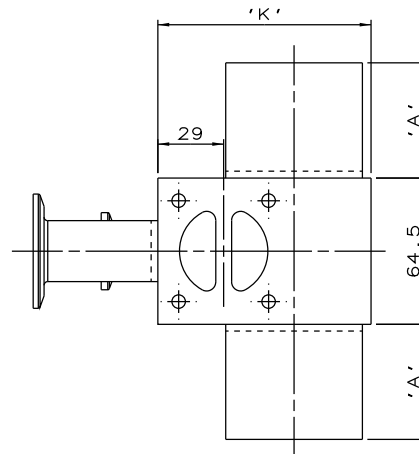


DN20, DN25, DN32 & DN50
MAINLINE ONLY

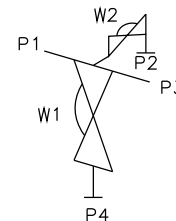


DN65 TO DN100
MAINLINE ONLY



DN40 MAINLINE ONLY

MAINLINE SIZE	A	B	C	ØD	ØE	F	G	H	I	J	K	BODY WEIGHT
mm	mm	mm	mm	mm	mm	mm	mm	mm	mm	mm	mm	Kgs
DN20	50.8	15.4	33.5	26.9	23.7	15.5	67.0	30.0	14.4	8.8	61.0	1.8
DN25	50.8	18.4	30.0	33.7	29.7	16.0	67.0	30.0	17.4	9.8	67.2	2.0
DN32	50.8	22.7	35.0	42.4	38.4	16.0	70.0	30.0	21.7	9.8	76.0	2.1
DN40	50.8	25.7	37.5	48.3	44.3	16.5	75.0	18.0	24.7	9.8	81.8	2.2
DN50	50.8	31.1	41.0	60.3	55.1	15.5	76.0	30.0	30.1	8.8	94.0	2.6
DN65	50.8	39.0	46.5	76.1	70.9	15.5	88.0	30.0	38.0	8.8	109.0	2.8
DN80	50.8	45.4	50.0	88.9	83.7	15.5	98.0	30.0	44.4	8.8	122.0	3.2
DN100	101.6	58.1	61.0	114.3	109.1	15.5	122.0	30.0	57.1	8.8	148.0	5.0



ORIENTATION AS
PER P&ID DIAGRAM
FOR OPTIMUM
DRAINABILITY.

The information on this sheet is Private and Confidential and is the property of Crane Process Flow Technologies Limited and must not be published directly or indirectly in any manner whatsoever without the written permission of the Company and must not be used in any way detrimental to their interests.

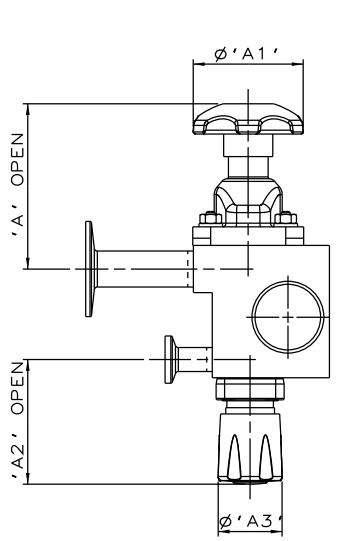
© Crane Process Flow Technologies

CRANE Process Flow Technologies
A Crane Co. Company

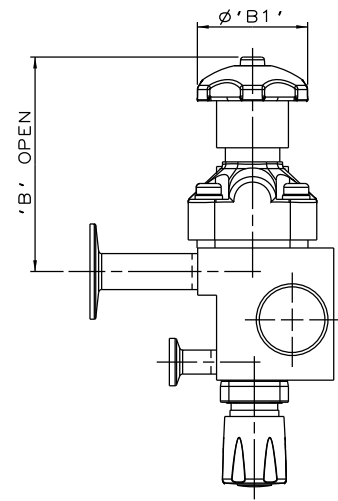
Saunders
The Science Inside

Title
SCHEDULE OF LEADING DIMENSIONS FOR DN20 WEIR
'T' BODY WITH DNS BACK SAMPLE COMPLETE WITH :
MAINLINE : BUTT WELD ISO 1127 S1 TUBE ENDS
BRANCH : HYGIENIC CLAMP END WITH ISO 1127 S1 BORE
SAMPLE : HYGIENIC CLAMP END WITH ISO 1127 S1 BORE

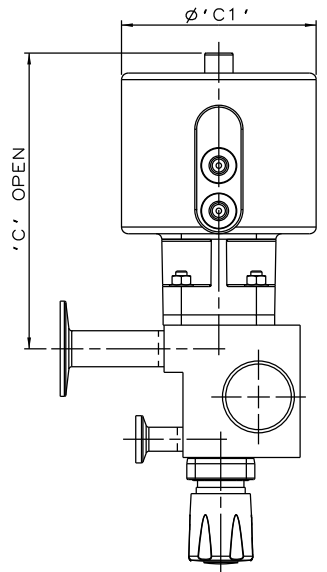
Drawn	RI	Date	17.07.12	UNCONTROLLED IN HARD COPY FORMAT
Checked	RND	Date	17.07.12	
First Angle Projection Method	E	DO NOT SCALE	Drawing No. WEB-224	Issue. 1



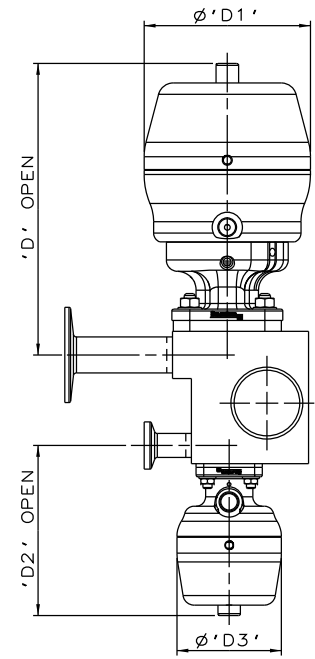
SS NON SEALED
& PURE PERFORMANCE
BONNET ASSEMBLY



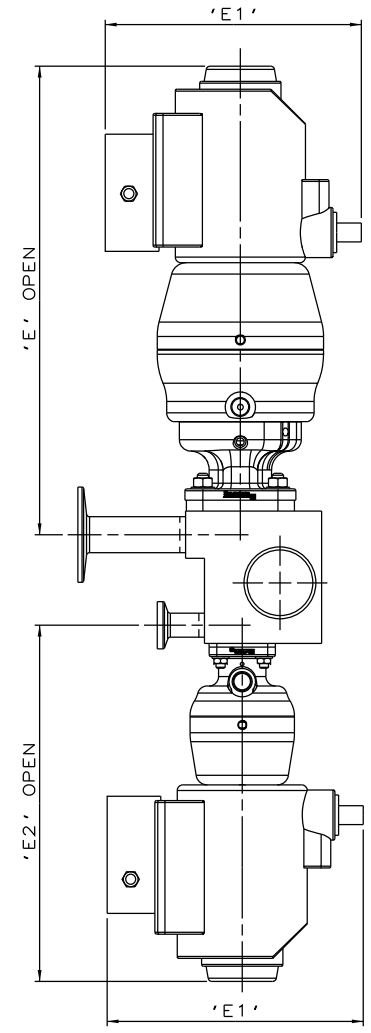
PES BONNET ASSEMBLY
& PURE PERFORMANCE
BONNET ASSEMBLY



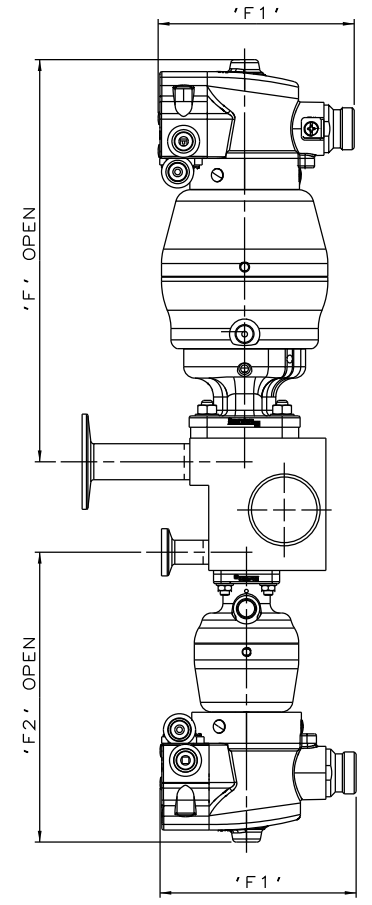
EC ACTUATOR (ALL MODES)
& PURE PERFORMANCE
BONNET ASSEMBLY



*S360 ACTUATORS



*S360 ACTUATORS
WITH I-VUE SENSOR



*S360 ACTUATORS
WITH M-VUE SENSOR

BLOCK CAN BE FITTED WITH ANY EXISTING
SUITABLE TOP WORK COMBINATIONS

The information on this sheet is Private and Confidential and is the property of Crane Process Flow Technologies Limited and must not be published directly or indirectly in any manner whatsoever without the written permission of the Company and must not be used in any way detrimental to their interests.
© Crane Process Flow Technologies

CRANE	Process Flow Technologies A Crane Co. Company	Saunders The Science Inside
--------------	--	---------------------------------------

Title
SCHEDULE OF LEADING DIMENSIONS FOR DN20/0.75
WEIR 'T' BODY WITH DN8/0.25 BACK SAMPLE WITH MAINLINE
BUTT WELD ISO 1127 S1 TUBE ENDS, BRANCH AND SAMPLE
HYGIENIC CLAMP ENDS WITH ISO 1127 S1 BORE,
FITTED WITH TOPWORKS OPTIONS

Drawn RI	Date 09.05.17	UNCONTROLLED IN HARD COPY FORMAT
Checked RND	Date 09.05.17	

First Angle Projection Method E		DO NOT SCALE	Drawing No. WEB-224-ASSY	Issue. 1
---------------------------------------	--	-----------------	-----------------------------	-------------

* DIMENSIONS SHOW MAXIMUM ENVELOPE FOR ALL MODES

BRANCH / SAMPLE SIZE		A	A1	A2	A3	B	B1	C	C1	D	D1	D2	D3	E	E1	E2	F	F1	F2																		
mm	inch	mm	inch	mm	inch	mm	inch	mm	inch	mm	inch	mm	inch	mm	inch	mm	inch	mm	inch	mm	inch																
DN20xDN15	0.75x0.5	91.5	3.60	62.0	2.44	66.2	2.61	34.0	1.34	117.5	4.63	62.0	2.44	160.5	6.32	103.0	4.05	167.5	6.59	98.0	3.87	89.8	3.54	55.0	2.18	263.5	10.37	136.0	5.35	188.8	7.43	228.5	9.00	103.8	4.09	154.8	6.09